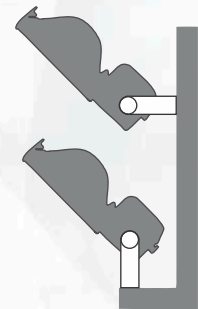
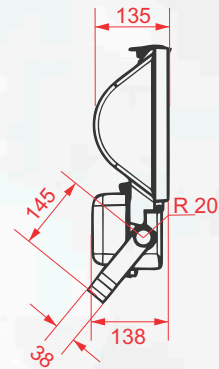
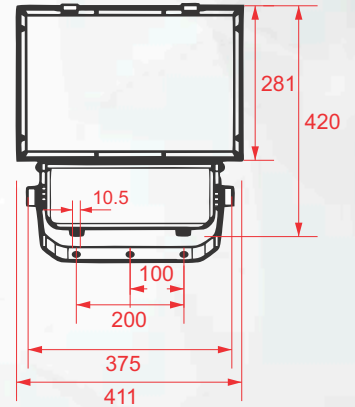


Floodlight





All dimension in mm

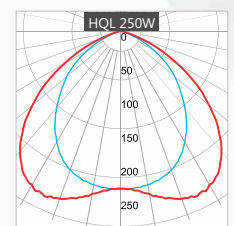
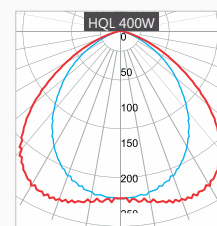
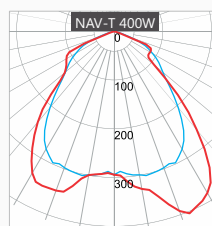


Parameter	Performance
Light source	HID Lamps
Input voltage range (v -AC /Hz)	220 ~ 240 / 50
Power factor	0.95
Power range (W)	150 - 400
Lamp holder	E 40
Ambient temperature (°C)	35
Installation height (m)	4 - 12
Optical IP	65
Electrical IP	65
Protection class against electrical shock	Class I
Coating	Electrostatic powder painting
Area of the surface to be loaded (m <sup>2</sup> )	0.168
Body	Die-cast aluminum
Glass	Tempered flat glass
Coating	Electrostatic powder painting
Reflector	Anodized aluminum
Maximum weight (kg)	11
Dimension (cm)	42 x 41 x 14
Package size (cm)	44 x 44 x 18

Power(W)	Lamp Code	Lamp type	Capacitor (µF)	Current (A) without capacitor	Current (A) with capacitor	Lamp holder	Weight (kg)
150	Ma101502	NAV	18	1.8	0.6	E40	9.25
250	MA102502	NAV	35	3	1.3	E40	10
400	MA104002	NAV	50	4.4	2.1	E40	11
150	MA101503	HQI	18	1.8	0.6	E40	9.25
250	MA102503	HQI	35	3	1.3	E40	10
400	MA104003	HQI	45	3.6	2	E40	10
250	MA102501	HQL	18	2.2	1.2	E40	9.25

### Standards

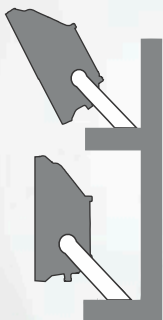
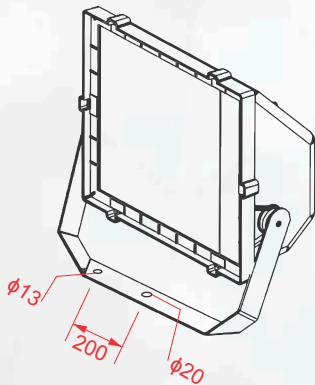
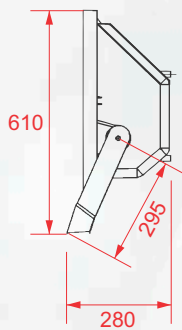
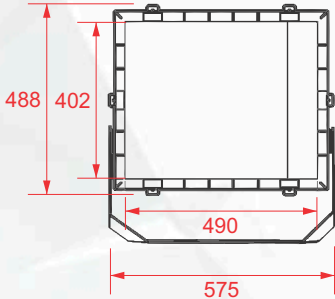
IEC 60598-1	Luminaires - General requirements
IEC 60598-2-5	Particular requirements - Floodlights
ISIRI 5920-1	Luminaires - General requirements and tests
ISIRI 5920-2-5	Particular requirements - Floodlights



Venus 1



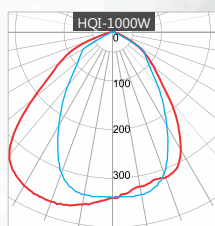
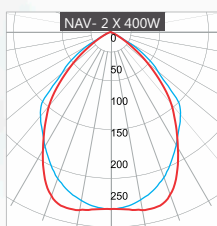
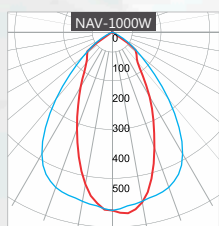
All dimension in mm

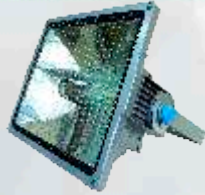


Parameter	Performance
Light source	HPS , MH lamps
Input voltage range (v -AC /Hz)	220 ~ 240 / 50
Power factor	0.95
Power range (W)	2 x 400 -1000
Lamp holder	E 40
Ambient temperature (°C)	35
Installation height (m)	15 - 30
Optical IP	65
Electrical IP	43
Protection class against electrical shock	Class I
Area of the surface to be loaded (m <sup>2</sup> )	0.250
Coating	Electrostatic powder painting
Body	Die-cast aluminum
Glass	Tempered flat glass
Coating	Electrostatic powder painting
Reflector	Anodized aluminum
Maximum weight (kg)	Optical: 15.75 Gear: 20.25 (2 X 400)
Dimension	Optical: 59x50x25 Gear: 43x34x15
Package size (cm)	Optical: 61x52x27 Gear: 44x35x20

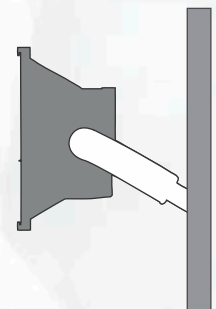
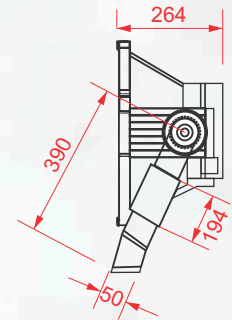
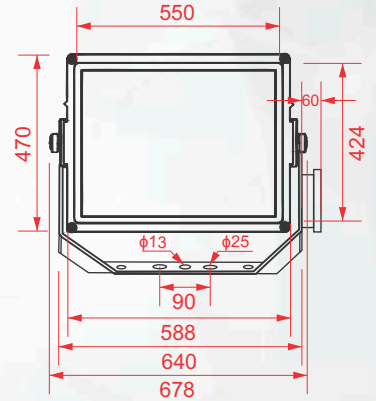
Power(W)	Lamp code	Lamp type	Capacitor (µF)	Current (A) without capacitor	Current (A) with capacitor	Lamp holder	Body Weight	Box Weight
1000	VE110002	NAV	100	10.3	5.2	E40	15	20.25
1000	VE110003	HQI	90	9.1	5	E40	15	18
2 x 400	VE108002	NAV	100	8.8	4.2	E40	15.75	17.25
2 x 400	VE108003	HQI	90	7.2	4	E40	15.75	16

Standards	
IEC 60598-1	Luminaries - General requirements
IEC 60598-2-5	Particular requirements - Floodlights
ISIRI 5920-1	Luminaries - General requirements and tests
ISIRI 5920-2-5	Particular requirements - Floodlights





All dimension in mm

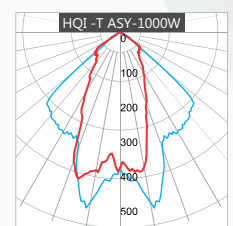
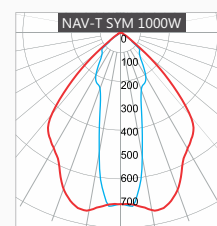
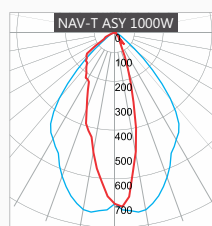


Parameter	Performance
Light source	HPS , MH lamps
Input voltage range (v -AC /Hz)	220 ~ 240 / 50
Power factor	0.95
Power range (W)	1000
Lamp holder	E 40
Ambient temperature (°C)	35
Installation height (m)	15 - 30
Optical IP	65
Electrical IP	65
Protection class against electrical shock	Class I
Area of the surface to be loaded (m <sup>2</sup> )	0.287
Coating	Electrostatic powder painting
Body	Die-cast aluminum
Glass	Tempered flat glass
Coating	Electrostatic powder painting
Reflector	Anodized aluminum
Maximum weight (kg)	Optical: 16.5 Gear: 16.25
Dimension	Optical: 69 x 49 x 25 Gear: 40 x 27 x 19
Package size (cm)	Optical: 75 x 58 x 28 Gear: 43 x 29 x 21

Power(W)	Lamp code	Lamp type	Capacitor (μF)	Current (A) without capacitor	Current (A) with capacitor	Lamp holder	Body Weight (kg)	Box Weight (kg)
1000	VE21002	NAV	100	10.3	5.2	E40	16.5	16.25
1000	VE21003	HQI	90	9.1	5	E40	16.5	14

### Standards

IEC 60598-1	Luminaires - General requirements
IEC 60598-2-5	Particular requirements - Floodlights
ISIRI 5920-1	Luminaires - General requirements and tests
ISIRI 5920-2-5	Particular requirements - Floodlights





[www.ksnlighting.com](http://www.ksnlighting.com)    [info@ksnlighting.com](mailto:info@ksnlighting.com)

Office : No. 9, 15th Rahnamaei Ave, Mashhad, Iran

Telfax : (+9851)38 46 9200-4

Mobile : (+98)915 240 9200